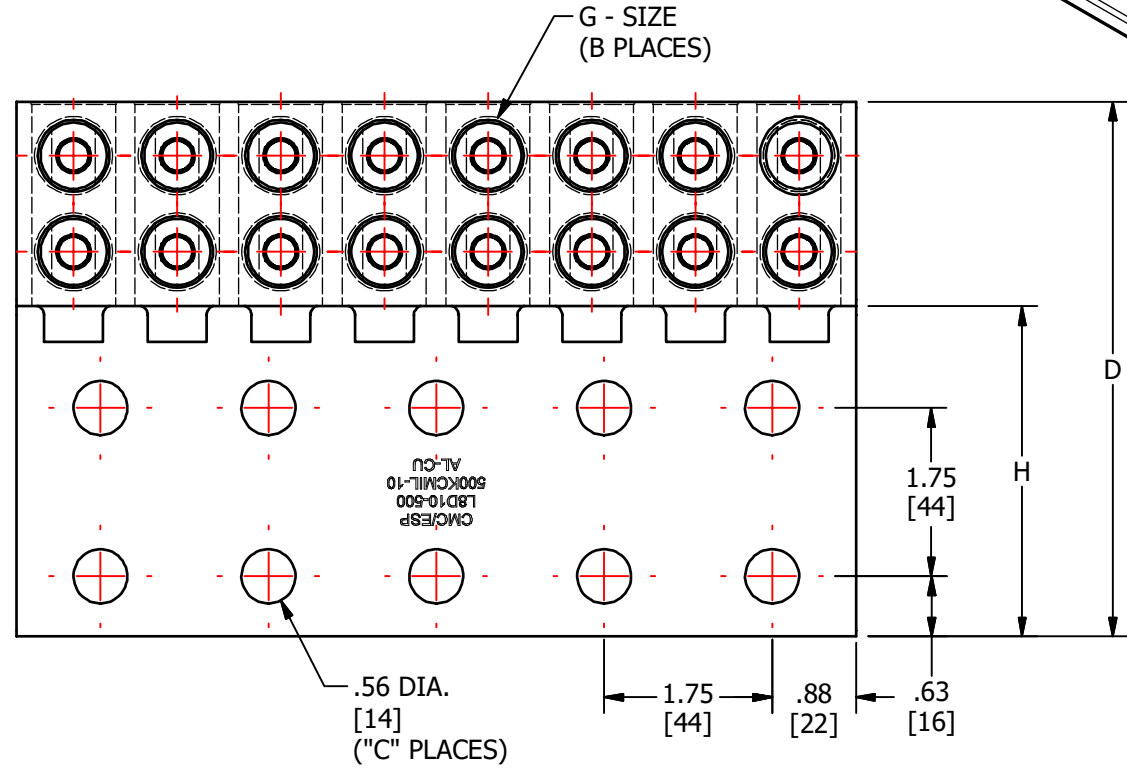
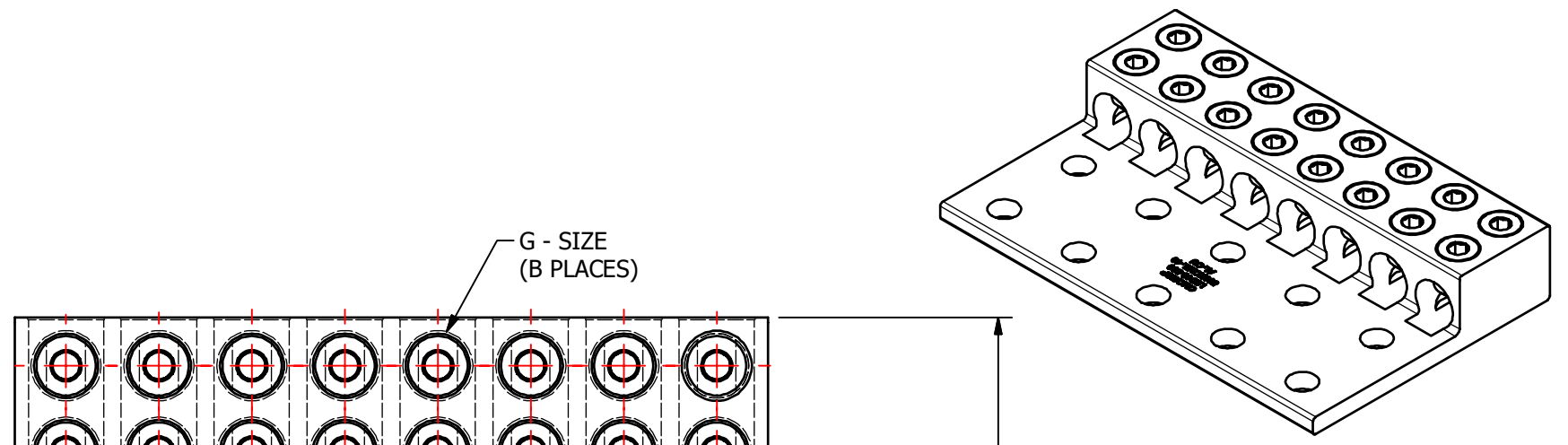
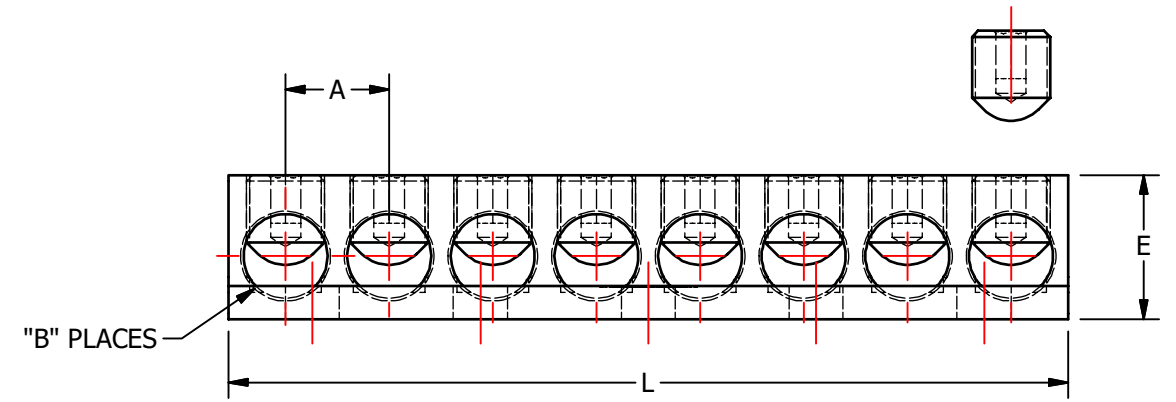
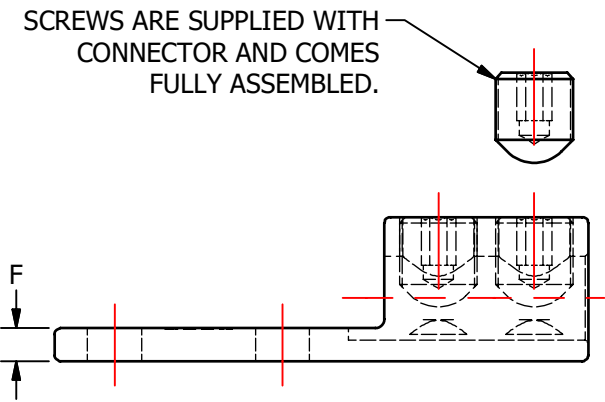


S.NO	CATALOG NUMBER	L	A	B	C	D	E	F	G	H	CONDUCTOR RANGE
1	L8D10-350	8.75 [222]	1.06 [27]	8	10	5.31 [135]	1.50 [38]	0.38 [10]	11/16-16	3.31 [84]	350 KCMIL-12
2	L8D10-350I	8.75 [222]	1.06 [27]	8	10	5.31 [135]	1.50 [39]	0.38 [10]	11/16-16	3.31 [84]	350 KCMIL-12
3	L8D10-500	8.75 [222]	1.08 [27]	8	10	5.56 [141]	1.50 [40]	0.34 [9]	13/16-16	3.44 [87]	500 KCMIL-10
4	L8D10-500I	8.75 [222]	1.08 [27]	8	10	5.56 [141]	1.50 [41]	0.34 [9]	13/16-16	3.44 [87]	500 KCMIL-10
7	L8D12-750	10.50 [267]	1.30 [33]	8	12	5.94 [151]	1.63 [41]	0.44 [11]	13/16-16	3.44 [87]	750 KCMIL-2
8	L8D12-750I	10.50 [267]	1.30 [33]	8	12	5.94 [151]	1.63 [41]	0.44 [11]	13/16-16	3.44 [87]	750 KCMIL-2



MARKING
 CMC/ESP
 L8D10-500
 500 KCMIL-10
 AL-CU

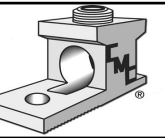


				DRAWN BY: TS		NAME OF PART: TRANSFORMER CONNECTOR		CAT. NO.: SEE TABLE	
				CHECKED BY:		DWG NO.: C58700109-S (CHARTED)		B	
A NEW DRAWING CREATED				TS		DRAWING NOT TO SCALE		SHEET NO: 1 OF 1	
REV.	DESCRIPTION	ECN	DATE	INIT.	FOR PRODUCT INFO: http://www.cmclugs.com				

THIS INFORMATION IS PROPRIETARY TO CONNECTOR MFG. CO. AND IS NOT TO BE DISCLOSED OUTSIDE OF CONNECTOR MFG. CO. WITHOUT A CONFIDENTIALITY AGREEMENT



CONNECTOR MANUFACTURING CO.



HAMILTON, OHIO